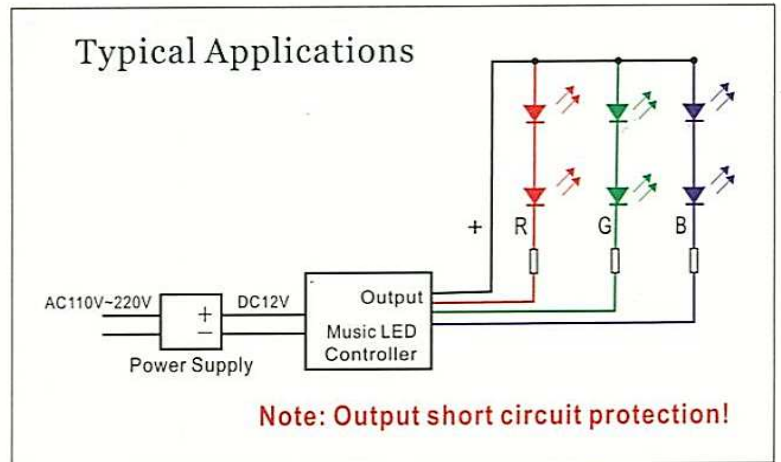


Summarization

20key infrared Music LED controller adopts the advanced micro control unit. It is used for controlling a variety of LED lamp. For instance, point-source light, flexible strip light, wall washer light, glass curtain wall light and so on; it has many advantages such as low cost, convenient connection and ease of use. Meanwhile you could adjust brightness, static colors and color changing effects via infrared remote control. when it is in sound-control mode, the colors will change with the music rhythm.

Technical Parameters

- Working temperature: $-20^{\circ}\text{C} \sim 60^{\circ}\text{C}$
- Input voltage: DC12-24V
- Output: 3 channels
- Connecting mode: Common anode
- External dimension: L63*W35*H22mm
- Packing size: L215*W115*H25mm
- Net weight: 50g
- Gross weight: 66g
- Static power consumption: $<1\text{ W}$
- Output current: $<2\text{ A}$ (each channel)
- Output power: $<72\text{ W}$



Remote control functions

Button	Function
	When in static mode(default): to adjust the brightness(16 grades), When in jump3, jump7, fade3, fade7 mode: to adjust the light flashing rate (8 grades)
ON/OFF	Turn on/off the controller
RED/GREEN/BLUE/ WHITE/ORANGE/ YELLOW/CYAN/PURPLE	To select corresponding static color
JUMP3	3 colors jump changing
JUMP7	7 colors jump changing
FADE3	3 colors gradual changing
FADE7	7 colors gradual changing
	Sound-control mode_I (general music), all colors will gradual or jump change following the music/sound rhythm. If no music/sound input or sensed, all colors will gradual change
	Sound-control mode_II (tenderness music), all colors will slow breathing or jump change following the music/sound rhythm. If no music/sound input or sensed, all colors will slow breathing change
	Sound-control mode_III (active music), all colors will jump change following the music/sound rhythm, If no music/sound input or sensed, current colors keep lighting
	Sound-control mode_IV(DJ music), all colors will change following the music/sound rhythm If no music/sound input or sensed, all colors are off

Direction for use

1. Connect the load lines and power lines, make sure all connection correct before power switched on.
2. Insure there is no obstacle between the IR controller and the receiver when operating.
3. This product should not be used in outdoor and any other humid environment. Not allowed to touch water or any liquid. No impacting and knocking. Should not be used in high temperature and high pressure environment to avoid the product damage, and cause short-circuit, fire disaster and electric shock etc.
4. The manufacturers will not be responsible for the product damage, property damage, personal injury, and any other losses which are caused by improper use.



RoHS

